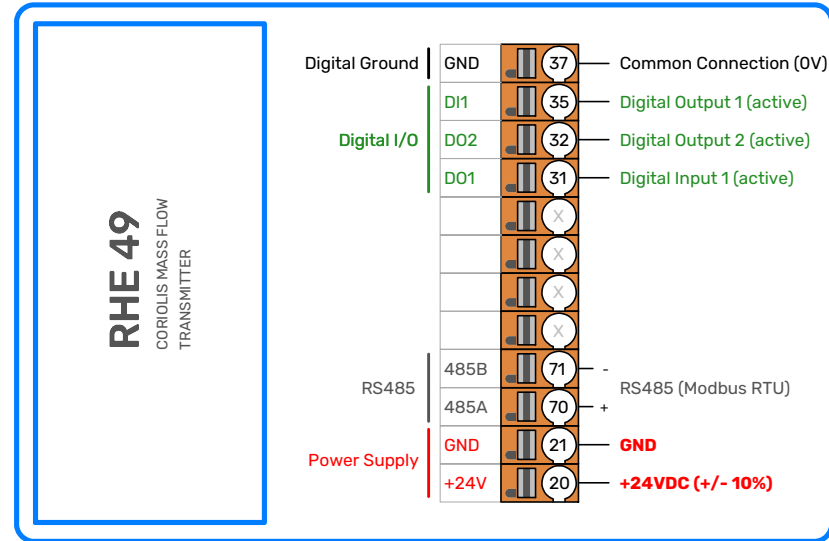
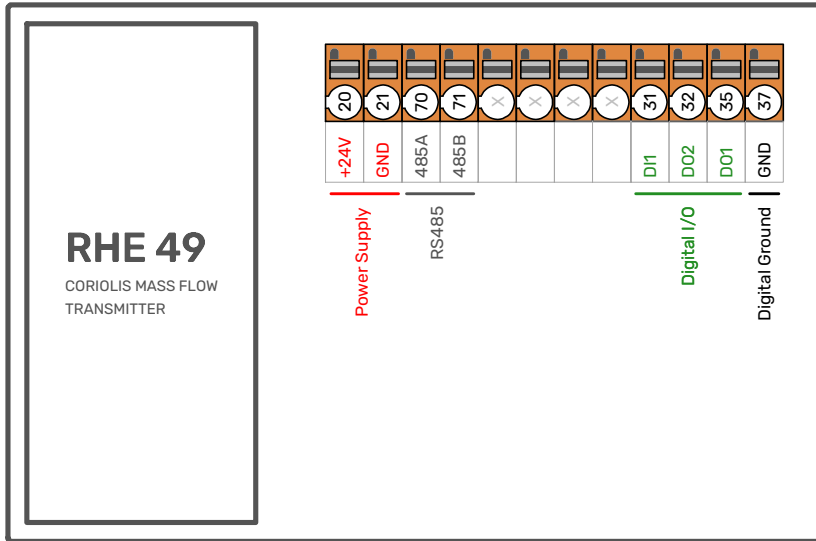
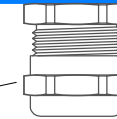
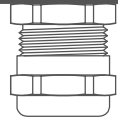


Stainless steel enclosure

Aluminium enclosure



Functions programmable

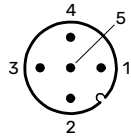


*optional:*

*M 12 socket version (male), instead of gland*

Terminal	RHE49-**D1-**B1-****-BMN	Color *
1	+24V DC	brown
2	RS485+	white
3	GND	blue
4	RS485-	black
5	D01	gray

\* Color of available accessory cable



*EMC cable gland - see installation instructions for Pflitsch blueglobe TRI cable glands*



Do not change the installation under power.

created / revised	
Date	20.06.2024
Drawn	H.G.Rudolph
Appr.	M. Weber



## Wiring diagram RHE 49

RHE49-\*\*D1-\*\*B1-\*\*\*\*\_\*\*\*

Project	
Customer	
Draw. - Rev.	E49W-E_D1_B1_Rev_1_0
Sheet	1 / 1